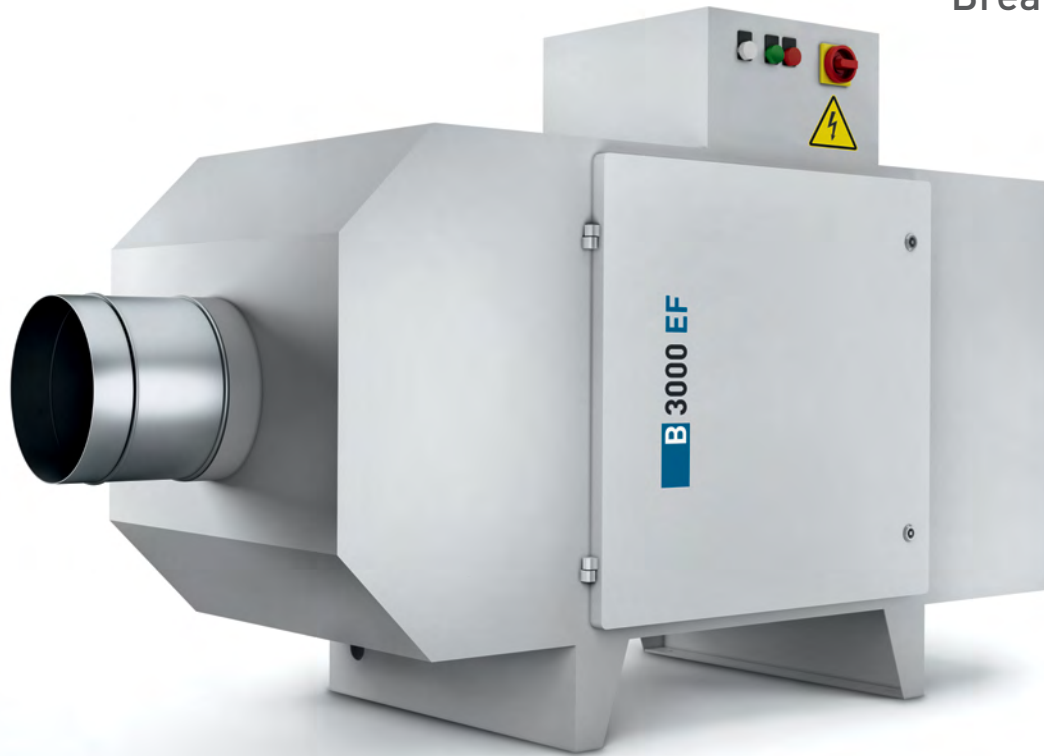


Breathe pure air



Consistently strong performance and high efficiency are important prerequisites in constantly heavily polluted air – especially due to oil smoke, oil or emulsion mist. Individual filter B 3000 is the strongest individual filter in our portfolio and filters volumes of up to 3000 m³/h. The easy-to-install sturdy and compact heavy-duty filter requires only 0.65 m² of space on or next to a machine tool. Also works perfectly as an island solution for multiple machines.

Technical Data Sheet

B 3000 EF | B 3000 EFT | B 3000 MF

Functional principle and design of electrostatic filters based on the example of model B 1000 EF
Air direction horizontal from left to right

1 Inlet port, 2 Baffle plate, 3 Pre-filter stainless steel mesh, 4 Ionizer/collector cell (2 each in tandem models), 5 After filter stainless steel mesh, 6 Control unit



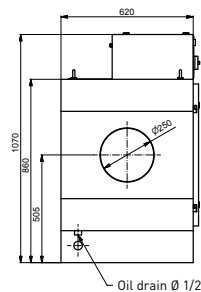
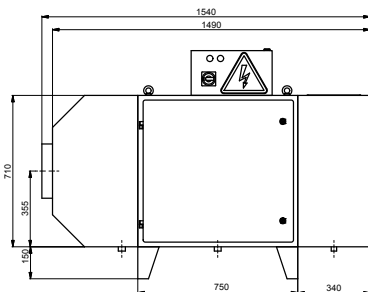
	B 3000 EF	B 3000 EFT	B 3000 MF
Air volume up to m ³ /h	3000	3000	3000
Operating pressure Pa	200	200	200
Mains connection kW	1.5	1.5	1.5
Air inlet port Ø mm	250	250	250
Length mm	1540	2040	1540
Width mm	645	645	645
Height mm	860	860	860
Weight filter kg	200	250	200
Ionizer/collector type/quantity	Sep. cells per 1	Sep. cells per 2	-
Application kV	12-6	12-6	-
Plate distance mm	8	8	-
Filter surface m ²	26	2 x 26	42
Dim. ionizer W/H/D mm	610 x 610 x 106	610 x 610 x 106	-
Dim. collector W/H/D mm	610 x 610 x 325	610 x 610 x 325	610 x 610 x 325
Weight filter cell kg	28	2 x 28	-
Noise level db	72	72	72
MF filter cell class	-	-	Oil/water repellant F9

If you have any further questions regarding filter classes and types, usage examples, support and services or if you need project specific quotes, we will be pleased to assist you.

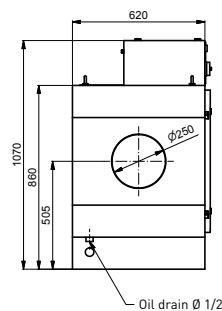
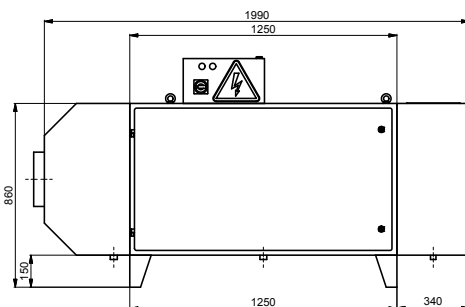
Please contact us directly.
Telephone
Project Management
+49 (0)9868 9826-0.

Or send an e-mail to
info@bristolfilter.de.

Optional air direction horizontal from left/right or right/left. Adaptation to country specific mains voltage is possible for all filters.



Side and frontal view individual filters B 3000 EF | B 3000 MF



Side and frontal view tandem individual filter B 3000 EFT

Electrostatic air filters · Mechanical air filters
Complete solutions · Service

Bristol T&G International GmbH · Am Sägewerk 1 · D-91601 Dombühl
Telephone +49 (0)9868 9826-0 · info@bristolfilter.de · www.bristolfilter.de

Bristol

Breathe pure air